

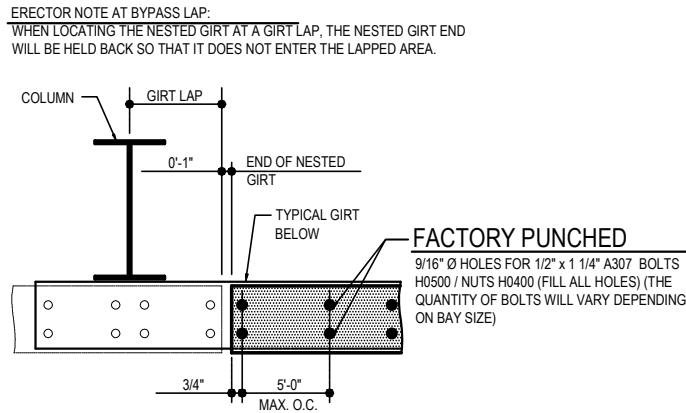
NESTED GIRT

CM0003 - FACTORY LOCATED NESTED GIRT DETAIL

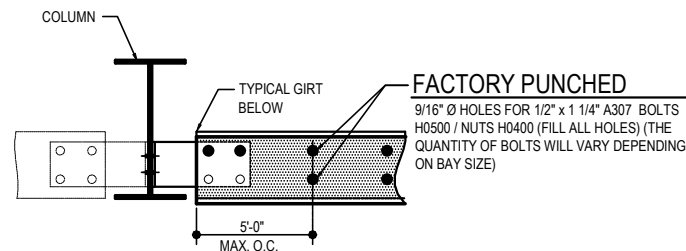
CM0004 - FIELD LOCATED NESTED GIRT DETAIL

CM0003 - FACTORY LOCATED NESTED GIRT DETAIL

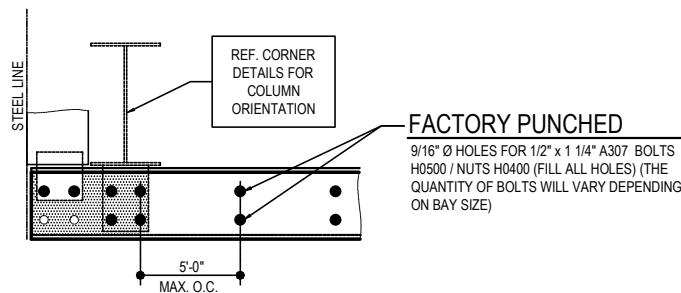
[Download the DWG file by clicking here.](#)



ERECTOR NOTE AT FLUSH/INSET:
WHEN LOCATING THE NESTED GIRT AT A FLUSH OR INSET CONDITION, THE NESTED GIRT END WILL BE HELD BACK TO MATCH THE GIRT BELOW IT. THE BOLTS IN THE CLIP WILL ALSO BE USED IN THE NESTED GIRT.



ERECTOR NOTE AT CORNERS:
WHEN LOCATING THE NESTED GIRT AT A CORNER CONDITION, THE NESTED GIRT END WILL BE HELD BACK TO MATCH THE GIRT BELOW IT. THE BOLTS IN THE CLIP WILL ALSO BE USED IN THE NESTED GIRT.



FACTORY LOCATED NESTED GIRT DETAIL
REFERENCE ERECTOR NOTE FOR TYPICAL WASHER REQUIREMENTS

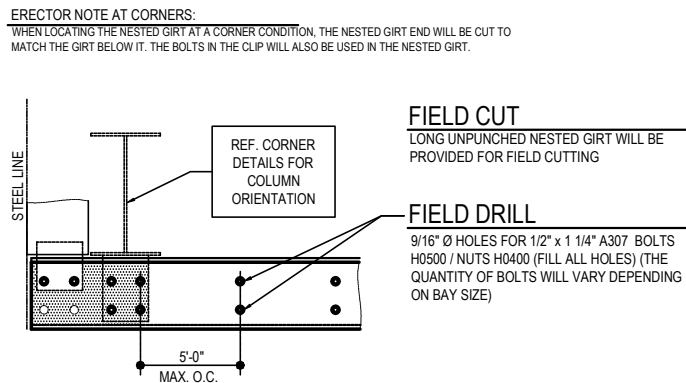
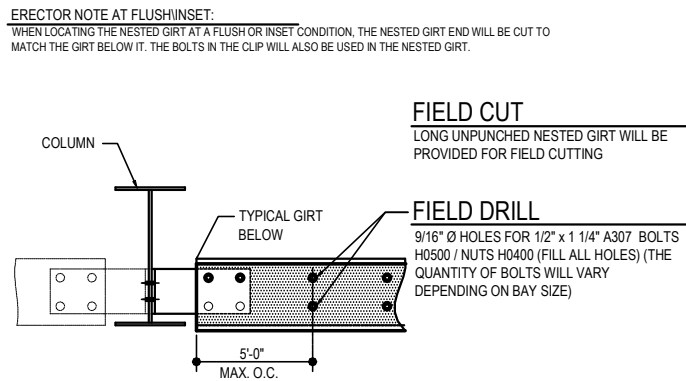
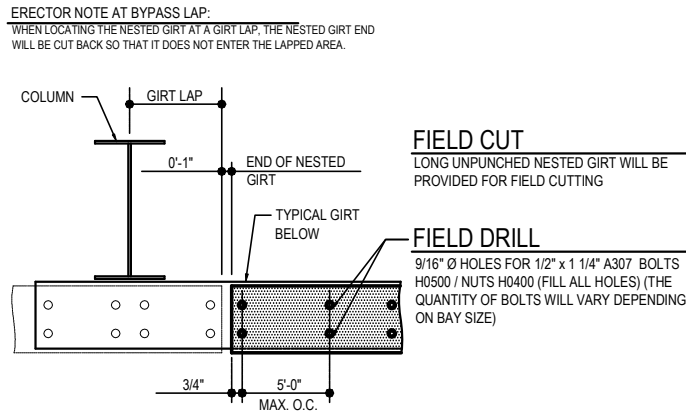
CM0003

Detailer Notes:

- 1) N/A

CM0004 - FIELD LOCATED NESTED GIRT DETAIL

[Download the DWG file by clicking here.](#)



FIELD LOCATED NESTED GIRT DETAIL

REFERENCE ERECTOR NOTE FOR TYPICAL WASHER REQUIREMENTS

CM0004

Detailer Notes:

- 1) N/A